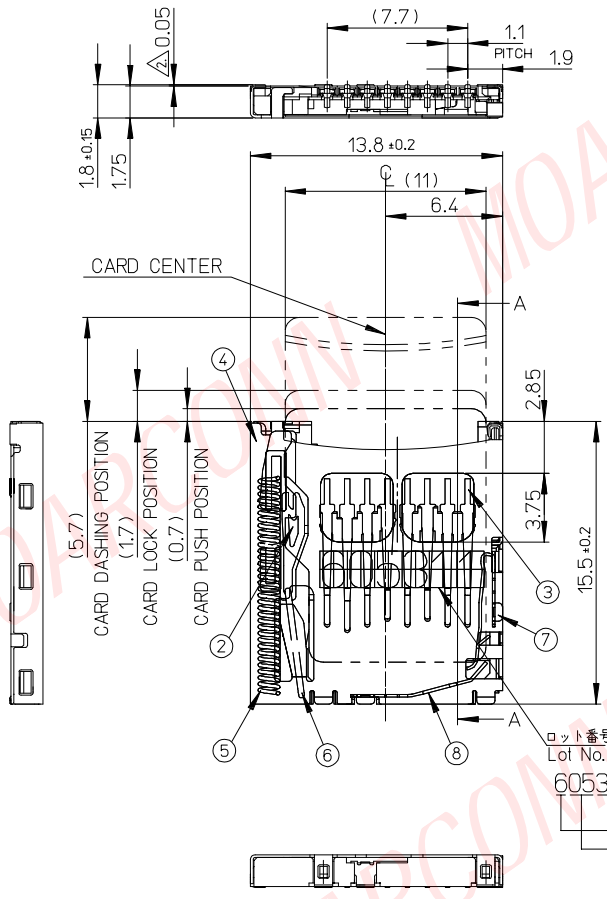
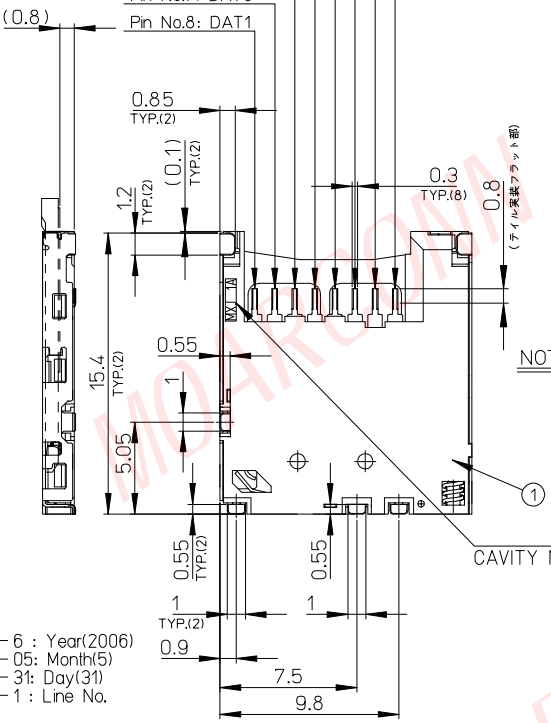


All materials, plating and process meet HF requirements.



- Pin No.1: DAT2
- Pin No.2: CD/DAT3<sup>2</sup>
- Pin No.3: CMD
- Pin No.4: VDD
- Pin No.5: CLK
- Pin No.6: VSS
- Pin No.7: DAT0
- Pin No.8: DAT1



NO.	名称 NAME	材料 MATERIAL
①	HOUSING	LIQUID CRYSTAL POLYMER (LCP) UL94V-0
②	CAM SLIDER	LIQUID CRYSTAL POLYMER (LCP) UL94V-0
③	TERMINAL	COPPER ALLOY, CONTACT AREA: Au(0.5 μm MIN.) SEALING DISPOSITION TAIL AREA: Sn (2 μm MIN.) UNDER: Ni(1 μm MIN.)
④	SHELL	STAINLESS STEEL, NAIL AREA: (0.02 μm MIN.), UNDER: Ni(0.5 μm MIN.)
⑤	SPRING	SWP
⑥	PIN	STAINLESS STEEL
⑦	DETECT LEVER	COPPER ALLOY, CONTACT, TAIL AREA: Au(0.2 μm MIN.) UNDER: Ni(1 μm MIN.)
⑧	DETECT SWITCH	COPPER ALLOY, CONTACT, TAIL AREA: Au(0.2 μm MIN.) UNDER: Ni(1 μm MIN.)

- NOTES 1. TERMINAL AND NAIL COPLANARITY TO BE 0.1 MAX.  
 2. STAND OFF  
 3. PATTERN PROHIBITION AREA  
 4. DETECT SWITCH  
 5. CAVITY IS TO BE OPTIONAL.  
 6. LOT NUMBERING IS TO BE OPTIONAL.  
 7. GND RECOMMENDED PATTERN.  
 8. ELV AND RoHS COMPLIANT

4. DETECT SWITCH	CARD INSERTING POSITION	CLOSE
	NO CARD	OPEN

X0	-----	NEW RELEASE	Zhangli	2025. 1. 4
REVISION NO.	ECR NO.	DESCRIPTION	MARK	DATE

**MOARCONN®**  
More Connections Smart Future

**DONG GUAN MOARCONN ELECTRONIC Co., Ltd.**

DIMENSIONS INIT: mm UNLESS OTHERWISE SPECIFIABLE	PRODUCT NAME : Micro SD Card H1.8 Push-Push	DRAWING: Zhangli	DATE: 2025. 1. 4
DIMENSION TOLERANCE X.X: ± 0.10 X.XX: ± 0.05 X.XXX: ± 0.02 ANGULAR: ± 1°	PRODUCT NO. : MC180-T6230-01-W	CHECK: /	DATE: /
	DRAWING NO. : D-MC180-T6230-01-W	APPROVED:	DATE:
	SCALE: 1:1	DWG ID: P D	REV.: X0 PAGE: 1 OF 2

